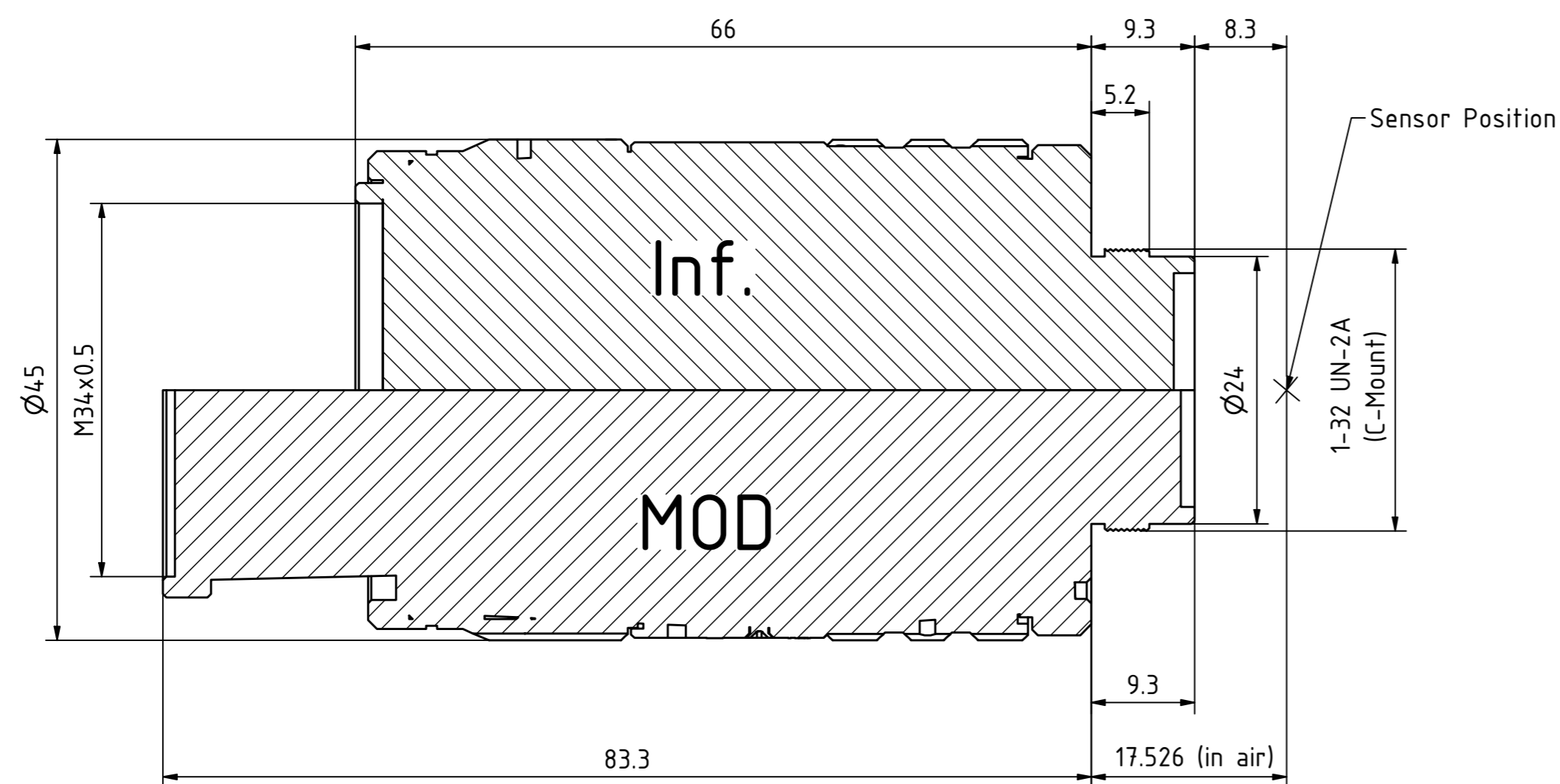
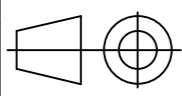


A-A (2 : 1)



Dimensions in mm
Not to scale

SK4 (public)		Scale: 2 : 1	
Revision The indication of changes is without any claim to completeness. Decimal separator is a point. Undimensioned parts: dimensions according to 3D part Parts' reference system as given in the drawing. Dimensions apply to the coated part, unless otherwise stated. Copyright (c) 2025 by BASLER AG - All Rights Reserved. The data in this file is strictly confidential and contains trade secrets of BASLER AG. This is proprietary information owned or licensed by BASLER AG. No part of this work may be disclosed, reproduced, copied, transmitted, or used in any way for any purpose, without the express.		 Semifinished Parts: Material: Title: Basler Lens C12-5024-25M Document Number: IB110652 02 Replaces:	
Edited	17.04.2025	Date	Name
Checked	17.04.2025	17.04.2025	lkoerner
Basler AG +49 (4102) 463-0 www.baslerweb.com 3D part: IP11065002		An der Strusbek 60-62 D-22926 Ahrensburg Page: 1 of: 1	